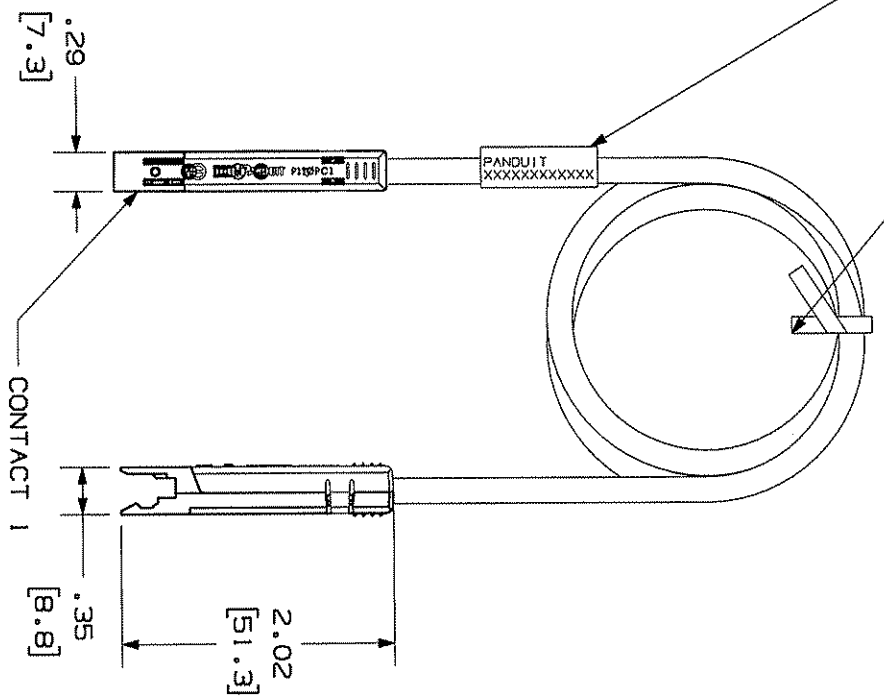


THIS COPY IS PROVIDED ON A RESTRICTED BASIS AND IS NOT TO BE USED IN ANY WAY DETRIMENTAL TO THE INTERESTS OF PANDUIT CORP.

CONTACT	CABLE WIRE COLOR
1	WHITE/BLUE
2	BLUE



- NOTES:
1. SEE CURRENT CATALOG FOR VARIOUS APPLICATIONS AND TO INDICATE PACKAGE QUANTITY. THE PATCH CORDS CAN BE USED WITH PAN-PATCH OR OTHER CONNECTING DEVICES.
  2. USED WITH PAN-PATCH OR OTHER CONNECTING DEVICES. FEATURES INCLUDE A CLEAN CUTTING EDGE TO PROTECT THE JACKET AND CONDUCTOR FROM DAMAGE DURING INSTALLATION WHICH MINIMIZES WIRE STRESS. THE INTERGRAL STRAIN RELIEF MINIMIZES STRESS ON WIRES DURING DISCONNECTION.
  3. POLARIZED TO PREVENT REVERSE INSTALLATION TO CONNECTOR BLOCK.
  4. CATEGORY 3 UNSHIELDED TWISTED PAIR CABLE WITH 24AWG STRANDED TINNED COPPER CONDUCTOR.
  5. DIMENSIONS IN PARENTHESES ARE IN METRIC.

PANDUIT P/N	MIN. CABLE LENGTH	WEIGHT
P110PC1162Y	2 FT.	.24 LB/10 PCS (112.1 g/10 PCS)
P110PC1163Y	3 FT.	.31 LB/10 PCS (144.5 g/10 PCS)
P110PC1164Y	4 FT.	.38 LB/10 PCS (176.9 g/10 PCS)
P110PC1165Y	5 FT.	.45 LB/10 PCS (209.3 g/10 PCS)
P110PC1166Y	6 FT.	.52 LB/10 PCS (241.7 g/10 PCS)
P110PC1167Y	7 FT.	.59 LB/10 PCS (274.1 g/10 PCS)
P110PC1168Y	8 FT.	.66 LB/10 PCS (306.5 g/10 PCS)
P110PC1169Y	9 FT.	.73 LB/10 PCS (338.9 g/10 PCS)
P110PC11612Y	12 FT.	.93 LB/10 PCS (430.1 g/10 PCS)
P110PC11615Y	15 FT.	1.15 LB/10 PCS (533.3 g/10 PCS)
P110PC11618Y	18 FT.	1.38 LB/10 PCS (630.5 g/10 PCS)
P110PC11619Y	19 FT.	1.48 LB/10 PCS (685.1 g/10 PCS)
P110PC11616.SMY	.5M	.22 LB/10 PCS (100.45g/10 PCS)
P110PC11617Y	1M	.33 LB/10 PCS (153.6 g/10 PCS)
P110PC1161.SMY	1.5M	.45 LB/10 PCS (206.8 g/10 PCS)
P110PC1162.SMY	2M	.56 LB/10 PCS (259.9 g/10 PCS)
P110PC1163.SMY	3M	.79 LB/10 PCS (386.2 g/10 PCS)
P110PC1164.SMY	4M	1.02 LB/10 PCS (472.5 g/10 PCS)
P110PC1165.SMY	5M	1.25 LB/10 PCS (578.8 g/10 PCS)
P110PC1166.SMY	6M	1.48 LB/10 PCS (685.1 g/10 PCS)

DRAWING FILENAME: M02479J0\_DC253\_00A\_PRT

TITLE: CATEGORY 3 110 PATCHCORD CUSTOMER DRAWING

SIZE: A



**PANDUIT** R  
CORP.  
TINLEY PARK, IL 60477

ALL DIMENSIONS ARE GIVEN IN INCHES, UNLESS OTHERWISE SPECIFIED.  
DIMENSIONAL TOLERANCES ARE:  
1.X1 ± .031(.8) (XXX) ± .010(.3)  
1.XX1 ± .010(.3)  
ANGLES ±

REVIEW DRAWING NUMBERS

1-1. NUMBER

PRODUCT SPEC

WORK INSTRUCTION

SCALE: NONE

PART NO. P110PC1\*\*\*Y

REV	DATE	BY	CHK	DESCRIPTION	ECN	R	CUST	SUP	OTH	DATE	DATE
R	3-17-06	NER	NER	RELEASED TO PRODUCTION.	02479-253					3-17-06	

DRAWING NO. 02479-253